

WPT-Z36-IR/wprs

❖ 36X
❖ 700
❖ PIP
❖ 30LED



Field of View	360°
Horizontal	0.1° - 90°
Vertical	150° / ±0.1°
Zoom	180°(±90°)
Resolution	0.1° - 90°
Zoom	150° / ±0.1°
Dimensions (W x H x D)	392.01 (W) x 211.19 (H) x 389.45 (D)
Weight	12,5
Power Consumption	13.5Kgf/cm, 1.35N.m
Temperature	1.8°

IP Rating	IP66
Operating Temperature	-35°C - +50°C
Storage Temperature	-50°C - +60°C
Humidity	-10°C - +40°C
Relative Humidity	-35°C - 0°C
Humidity	50% - 90%

Mounting	RS-422 (4), RS-485 (2)
Power Supply	DC11.5V ~ DC30V, AC15 ~ AC30V(50HZ), Dual Power
Power Consumption	() DC15V8A / AC24V5A
Power Consumption	./ . 20W, 3.4W

Image Sensor	1/4" 613K pixels SONY Super HAD dual scan CCD
Resolution	2, ., .+ . (PIP),
Light Source	200
Light Source	OSRAM 870n, 1, 30



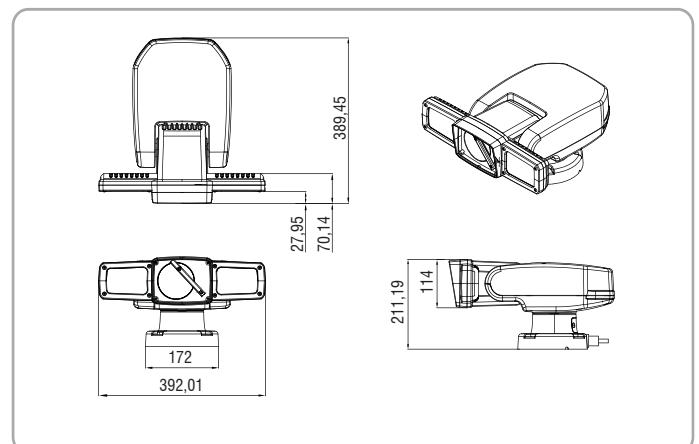
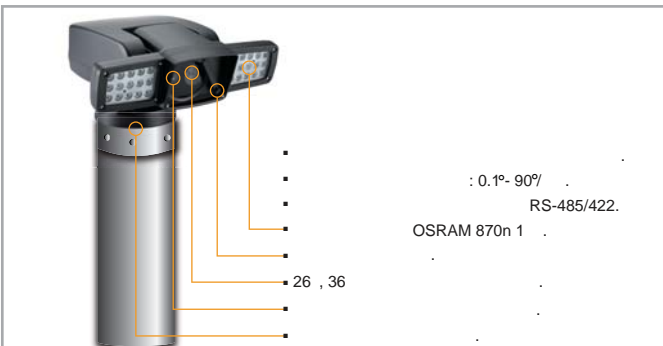
- 1/4" 613K pixels SONY Super HAD dual scan CCD
- 700
- 36
- 32
- 512 WDR.
- 612688

PIP / 63

(, , , 360°)

PIP ()

• 30 (200)



WPT-Z36-IR/wprs

	WPT-Z36-IR/wprs	
	1/4" SONY Super HAD II CCD (Double Scan)	
	36	32
	PAL: 1028 () 596 ()	
	PAL: 15.625KHz (), 50Hz ()	
	700	() / 800 ()
	. DSS 0,001 , / DSS 0,0004 / .0.5 // 0.2	
	1 - , (75 ,)	
	50 (.)	
	f = 3.4 - 122.4 (F1.6 - F4.5)	
	/ /	
	0.1 / 1.3 / 1.8 / 3.0 / 5.0 m	
	. / 2 - 32	
	. / PRI /	
	Off / On (Auto Max 32dB)	
	PAL : 1/50~1/100,000sec	
WDR / BLC	/	/ / /
/	/	/ / /
	ATW / One-Push / / / /	
DNR	/	/
	. / 8	
	: 2400 / 4800 / 9600 / 19200 / 38400	
	: Pelco-D / Pelco-P / VISCA	
	Disp Sel / Init Sel / Set Tilt / Set Init Msg / Language	

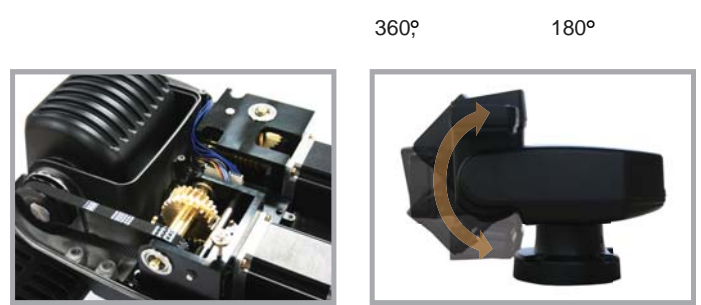
	WPT-Z36-IR/wprs	
	1/3" SONY Super HAD CCD II	
	795 ()	596 ()
	2:1	
	15.625KHz (), 50Hz ()	
	. 600	(650)
	: 0,3	: 0,1
	1,0 (75)	
	50 (.)	

PIP ()



(ICR ON),

(ICR OFF).



360° -90° 90°

